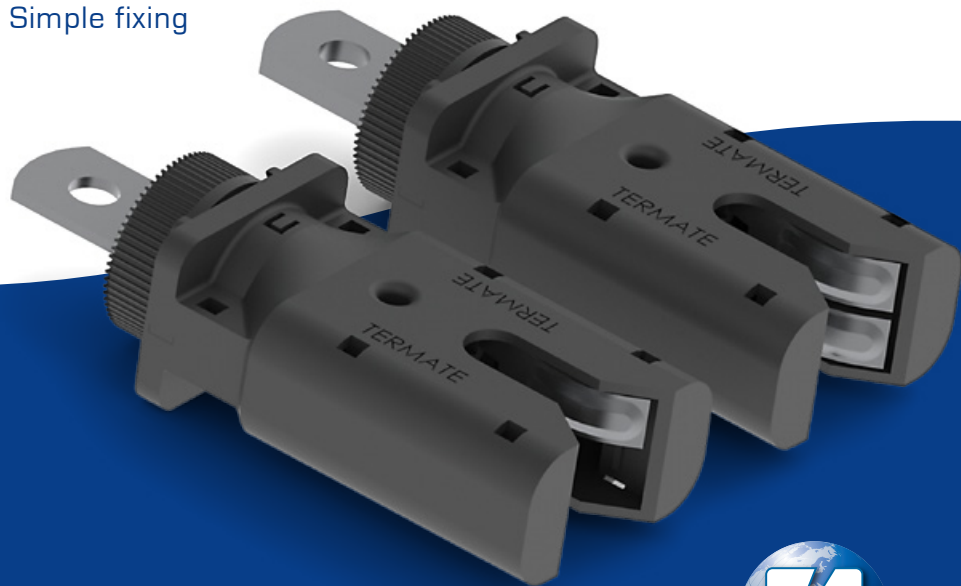


The smart connection

Termate's BPSP low voltage Busbar Plugs enable quick and reliable connections. Now that's smart!

- Tested for over 1000 operations – five times more than required by IEC 61439
- One footprint for 5, 6 & 10 mm copper bars
- Internal flash barrier
- Single pole – maximises flexibility of design
- 250 & 400A versions
- Simple fixing



 +44 [0]115 978 4652

 sales@termate.com



TERMATE



TERMATE

Termate have manufactured high performance components since 1956, supplying a global customer base from our U.K. headquarters.

For over 40 years we have independently tested our products to ensure that they meet and exceed the demands of international standards including IEC 61439. We work with leading test houses and certification bodies including KATF, ASTA and Dekra.

Our new products offer superb performance and longevity, incorporating materials manufactured to our specification. We listen to our customers requirements and respond, which has led to the introduction of versatile products. These can be used in more applications reducing the total costs to our partners.

We are well known by our customers for the detailed application engineering and the first class customer service we offer.

This leaflet displays our range of Busbar Plugs, part of our LV Power Products Range which comprises Busbar supports, Stand-offs, Through Wall Bushings, and Components for Withdrawable Systems. These products are all manufactured with the latest equipment at our facility in Nottingham.

We hope that our Busbar Plugs are of interest. If you would like to receive a quote, application help or learn more about any of our products or services, we would be delighted to hear from you.

You can find out more information by visiting our website at www.termate.com, alternatively you can email our sales team at sales@termate.com or call **+44 [0]115 978 4652**.

BPSP Low Voltage Busbar Plugs

BPSP250 & BPSP400



Properties

Body Material:	Glass Reinforced Polyamide 6.6
Contact Material:	Silver Plated Copper Contacts
Conductor Temp:	105°C†
Flammability:	UL94-V0
Equipment Voltage U_e :	1000V
Insulation Voltage U_i :	1000V
Impulse Voltage U_{imp} :	12kV
Glow Wire:	960°C

†This temperature limit is based on the expectation of a 105°C Cable / Flexible Busbar being fitted.

BPSP Low Voltage Busbar Plug – Fault Levels

Current Rating*	Fixed Conductor Size (mm)	Tested Ipk (No SCPD)	Estimated Protected Short Circuit Rating Icc**	Part Number
250A	5/6	30kA	80kA	BPSP250-6
250A	10	30kA	80kA	BPSP250-10
400A	5/6	40kA	80kA	BPSP400-6
400A	10	40kA	80kA	BPSP400-10

*The above unenclosed ratings were tested with a rise of 29 K over an ambient of 35°C with test conditions as declared in IEC 61439.

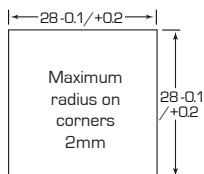
**This figure is based on an assembly of multiple devices peak let through current. The specific peak let through current for the selected SCPD should be confirmed not to exceed the Ipk declared.

Termate reserves the right to alter, without notice, the specification, design, or condition of supply of all its products and services. Dimensions in this catalogue are provided for reference only.

Mounting Plate Cut-Out Detail:

Termate recommends that any cutting made after the finish has been applied, should be treated to ensure compliance with IEC 61439-1 section 10.2.2 [resistance to corrosion].

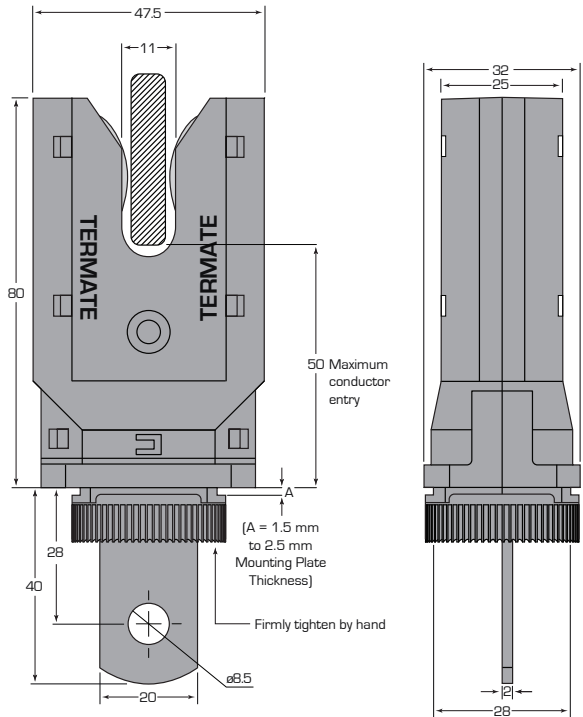
Care should be taken to ensure that the mounting plate exhibits sufficient mechanical strength consistent with the Busbar Plugs being inserted and withdrawn multiple times. Experience, judgement and good engineering practice should always be applied.



Recommended Maintenance

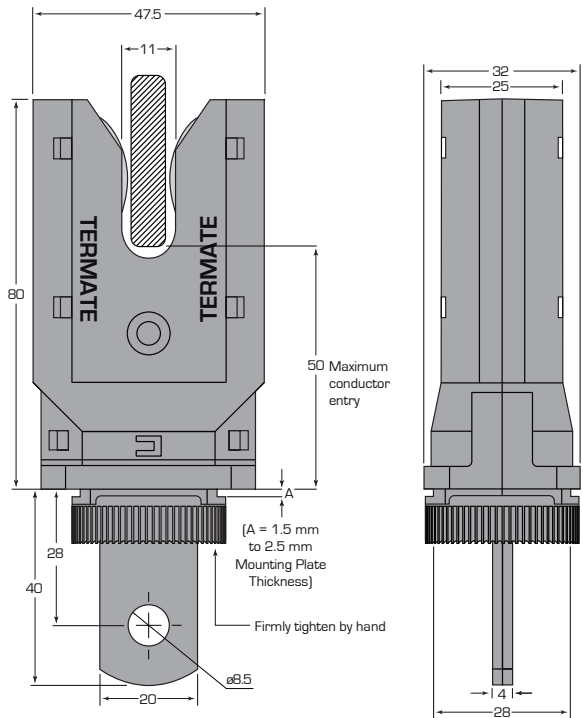
- Moving assemblies are inspected within every 200 operations or immediately after any form of short circuit
- Unplug or withdraw the moving assembly
- Visually inspect all components for damage or signs of arcing, damaged or worn components should be further inspected or replaced as required
- Clean and re-grease any moving electrical contacts with a suitable electrical grade lubricant
- Clean and re-grease any moving mechanical parts with a suitable lubricant
- Check tightness of any fixings

BPSP250



Please Note: The plug connector has been designed to be connected and disconnected off load.

BPSP400



Please Note: The plug connector has been designed to be connected and disconnected off load.



TERMATE

Termate Limited
John Street
New Basford
Nottingham
NG7 7HL

www.termate.com

 +44 (0)115 978 4652

 sales@termate.com